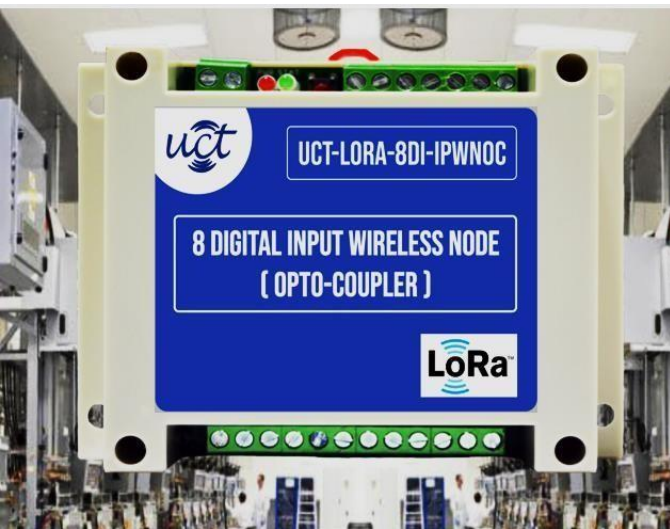




**CONVERGING UNIVERSE**

# 8 – DIGITAL INPUT WIRELESS TRANSMITTER



**The 8-Input Digital Wireless Transmitter Modules Provides 8 Digital Optoisolated Robust Inputs**

**It Provides Isolation And Fault Protection, Which Secure A Stable Operation**

**It Provides Wireless Communication Coverage Of 2 Km**

**It Also Has Low Power Consumption**

## Key Features at a glance:



Ad Hoc Wireless Network



Rugged Durability With 8 Digital Input



Comprehensive Safety And Reliability



Platform For Building Actionable IOT Intelligence



Personal Support for your Implementation

## Application Areas:



Smart Irrigation



Industrial Automation



Smart Car Parking



Smart Logistics



Utility Management



## CONVERGING UNIVERSE

Specifications	
Input Power	<b>Unregulated 9 – 24 VDC</b>
Power Consumption	<b>Less than 1 W @ 12 VDC</b>
Protections	<b>Reverse Polarity, Overvoltage (+/- 35 VDC), Short Circuit, Transient Voltage, TVS/ESD</b>
Indication	<b>Power (Red), Status (Green)</b>
Connector	<b>5mm pitch screw terminal blocks</b>
Enclosure	<b>ABS Enclosure</b>
Installation Type	<b>Plug and Play</b>
Dimensions	<b>Modular Architecture (115mm x 90mm x 40mm)</b>
Warranty	<b>12 Months from date of installation or 18 Months from date of delivery (whichever is earlier)*</b>

Wireless Transmitter	
Antenna	<b>2 dB</b>
Frequency band	<b>923MHz (920.60~924.60), BW: 400kHz; 868MHz (865.00~869.00)</b>
IEEE Standard	<b>625bps: IEEE 802.15.4g FSK Modulation; 50kbps: IEEE 802.15.4g CSS Modulation</b>
Data Rate	<b>625bps--50kbps</b>
Range Of Communication	<b>Around 2 Km at clear Line of sight</b>

Input	
Channels	<b>8</b>
Contact Rating	<b>24 VDC Sink/source (isolated) Up to 5000 VRMS for 1 minute</b>
Standard	<b>Optoisolated</b>



**CONVERGING UNIVERSE**

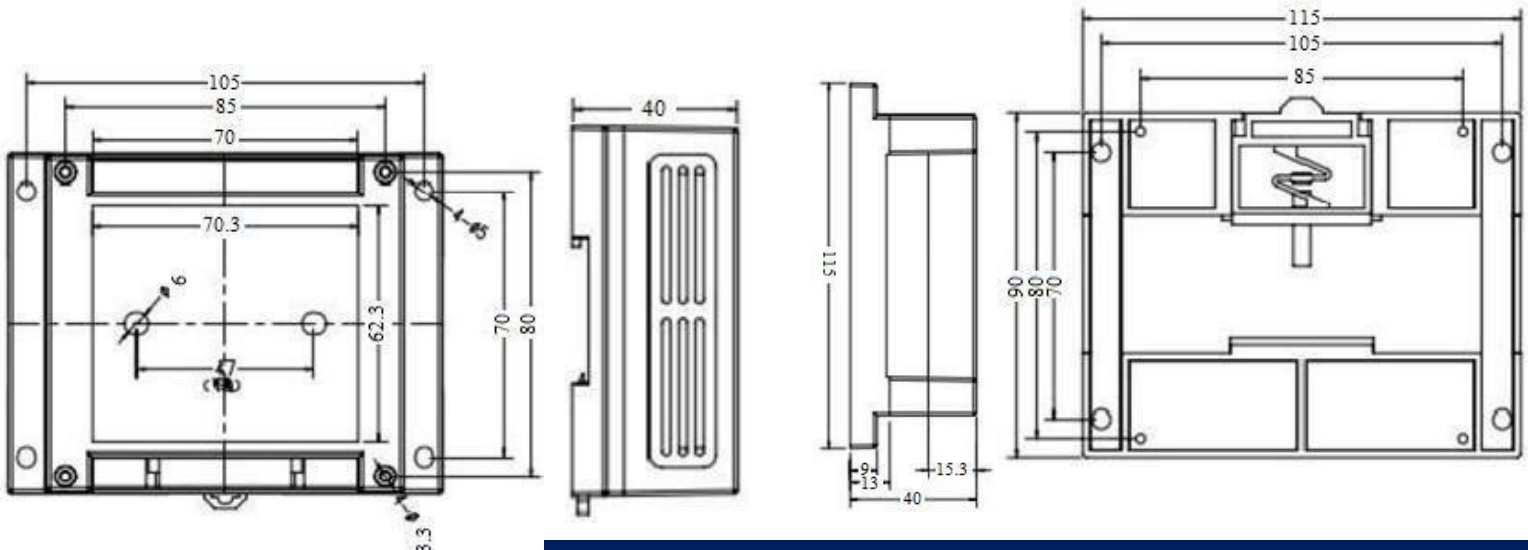
Environment	
Operating Temperature	<b>0 to 65°C</b>
Storage Temperature	<b>-10 to 70°C</b>
Operating Humidity	<b>5 – 95% RH (non-condensing)</b>

Mounting	
Built Architecture	<b>Modular</b>
Mounting	<b>DIN Rail Mountable, Wall Mountable, Stack Mountable</b>
Installation	<b>Plug and Play Device</b>

ORDERING INFORMATION	
Product Name	<b>Product Code</b>
8 Digital Input wireless transmitter	<b>XXXX</b>

MODBUS ADDRESS FOR FUNCTION CODE 0x02 Read Discrete Inputs	
<b>ADDRESS (8DI)</b>	<b>Input Channel</b>
1000	Digital Input 1
⋮	⋮
1007	Digital Input 8

**Dimensions (all units in mm)**

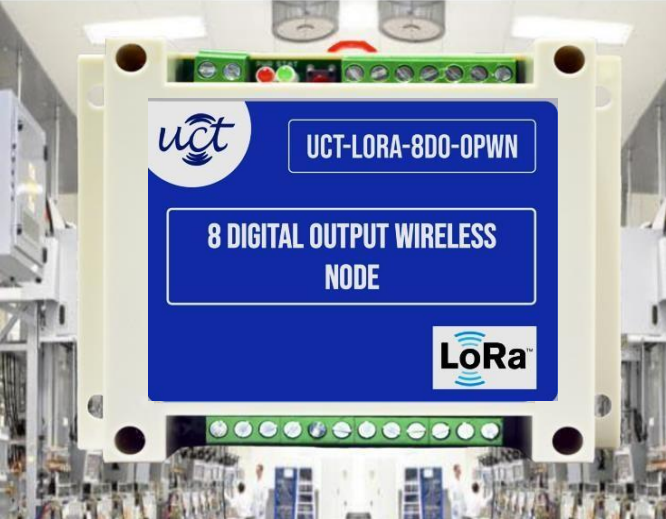


For more information please visit <http://www.uniconvergetech.in> or email us at [info@uniconvergetech.in](mailto:info@uniconvergetech.in)



**CONVERGING UNIVERSE**

# 8 – DIGITAL OUTPUT WIRELESS RECEIVER



**The 8-Output Digital Wireless Receiver Modules Provides 8 Digital Isolated Robust Outputs**

**It Provides Isolation And Fault Protection, Which Secure A Stable Operation**

**It Provides Wireless Communication Coverage Of 2 Km**

**It Also Has Low Power Consumption**

## Key Features at a glance:



Ad Hoc Wireless Network



Rugged Durability With 8 Digital Output



Comprehensive Safety And Reliability



Platform For Building Actionable IOT Intelligence



Personal Support for your Implementation

## Application Areas:



Smart Irrigation



Industrial Automation



Smart Car Parking



Smart Logistics



Utility Management



## CONVERGING UNIVERSE

Specifications	
Input Power	<b>Unregulated 9 – 24 VDC</b>
Power Consumption	<b>Less than 1 W @ 12 VDC</b>
Protections	<b>Reverse Polarity, Overvoltage (+/- 35 VDC), Short Circuit, Transient Voltage, TVS/ESD</b>
Indication	<b>Power (Red), Status (Green)</b>
Connector	<b>5mm pitch screw terminal blocks</b>
Enclosure	<b>ABS Enclosure</b>
Installation Type	<b>Plug and Play</b>
Dimensions	<b>Modular Architecture (115mm x 90mm x 40mm)</b>
Warranty	<b>12 Months from date of installation or 18 Months from date of delivery (whichever is earlier)*</b>

Wireless Receiver	
Antenna	<b>2 dB</b>
Frequency band	<b>923MHz (920.60~924.60), BW: 400kHz; 868MHz (865.00~869.00)</b>
IEEE Standard	<b>625bps: IEEE 802.15.4g FSK Modulation; 50kbps: IEEE 802.15.4g CSS Modulation</b>
Data Rate	<b>625bps--50kbps</b>
Range Of Communication	<b>Around 2 Km at clear Line of sight</b>

Output	
Channels	<b>8</b>
Output Type	<b>8 Channels Form A type Relay Outputs</b>
Contact Rating	<b>5 A @ 250 VAC 5 A @ 30 VDC</b>



# CONVERGING UNIVERSE

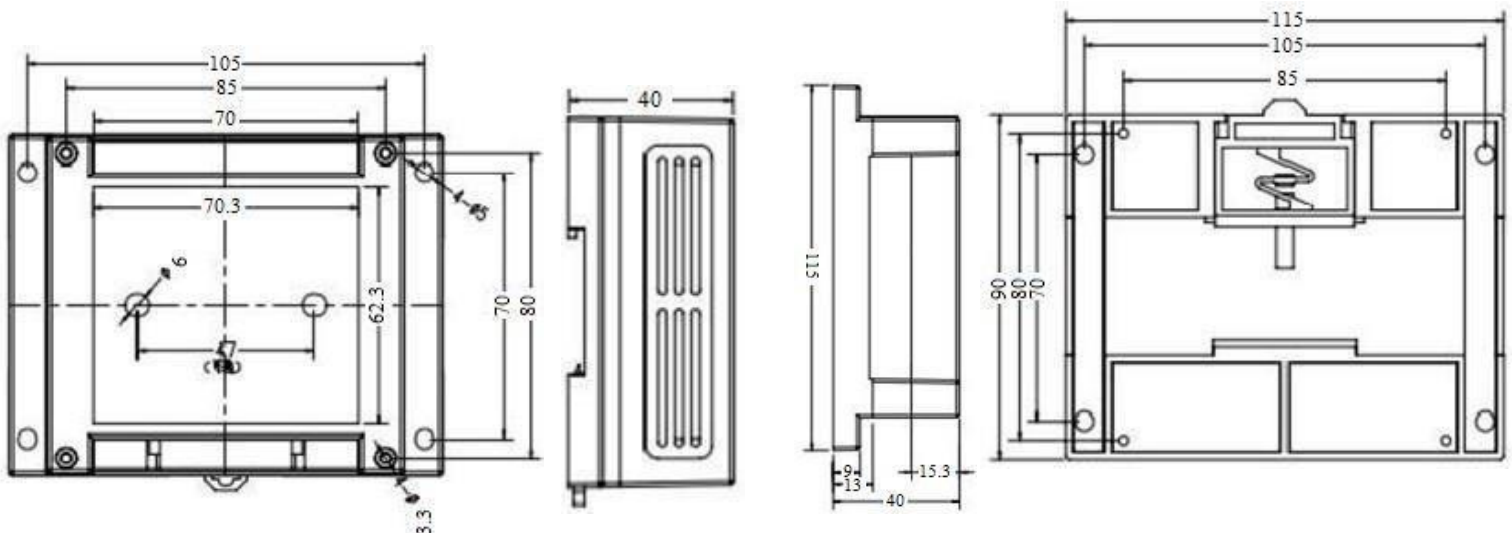
Environment	
Operating Temperature	<b>0 to 65°C</b>
Storage Temperature	<b>-10 to 70°C</b>
Operating Humidity	<b>5 – 95% RH (non-condensing)</b>

Mounting	
Built Architecture	<b>Modular</b>
Mounting	<b>DIN Rail Mountable, Wall Mountable, Stack Mountable</b>
Installation	<b>Plug and Play Device</b>

ORDERING INFORMATION	
Product Name	<b>Product Code</b>
8 Digital Output Wireless Transmitter	<b>XXXX</b>

MODBUS ADDRESS FOR FUNCTION CODE 0x0f Write Multiple Coils / Write Single Coil (0x05)	
<b>ADDRESS (8DO)</b>	<b>Output Channel</b>
3000	Digital Output 1
⋮	⋮
3007	Digital Output 8

## Dimensions (all units in mm)





**CONVERGING UNIVERSE**

## WHY CHOOSE US



### **On Time Delivery**

We provide the fastest turnaround time for your projects with the industry's best accuracy and output.



### **24\*7 Support**

We provide the support from our expert team for the installation and implementation



### **Transparent Pricing**

We maintain every price detail transparent. We customize packages after discussion with your management.

### **Do you have any questions?**

✉ [sales@uniconvergetech.in](mailto:sales@uniconvergetech.in)

☎ (+91) – 9741933559, 9205703472

[www.uniconvergetech.in](http://www.uniconvergetech.in)



**Noida Address: Block C- 56/11, Ground Floor,  
Sector 62, Noida, Uttar Pradesh - 201301**