



CONVERGING UNIVERSE

8 Analog Input 4 Digital Input MODBUS RS485 Remote I/O



This converter module converts the digital and analog input data from various controller and device.

It Provides RS485 interface supporting Modbus RTU Protocol

It supports half-duplex communication with two wires needed for transmit and receive data from legacy devices

Key Features at a glance:



Modbus RTU through RS485



Compact Din Rail Mounting



Rugged Durability With 8 Analog Input 4 Digital Input



Comprehensive Safety And Reliability



Personal Support for your Implementation

Application Areas:



Smart Irrigation



Industrial Automation



Smart Car Parking



Smart Logistics



Utility Management



CONVERGING UNIVERSE

Specifications	
Input Power	Unregulated 9 – 24 VDC
Power Consumption	Less than 1 W @ 12 VDC
Protections	Reverse Polarity, Overvoltage (+/- 35 VDC), Short Circuit, Transient Voltage, TVS/ESD
Indication	Power (Red), Status (Green)
Connector	5mm pitch screw terminal blocks
Enclosure	ABS Enclosure
Installation Type	Plug and Play
Dimensions	Modular Architecture (145mm x 90mm x 40mm)
Warranty	12 Months from date of installation or 18 Months from date of delivery (whichever is earlier)*

Data Connectivity	
Connectivity Supported	RS485
Protocol Supported	Modbus RTU
Communication Interface	2 Wire Type
Watchdog Timer	System (5 Sec) and Communication
Indication	Green for Communication Status

Analog Input	
Channels	8
Contact Rating	4-20mA with 12 bit SAR ADC (Transient Protected) (80 dB CMRR)
Standard	Single ended 12 bit ADC

Digital Input	
Channels	4
Contact Rating	24 VDC Sink/source (isolated) Up to 5000 VRMS for 1 minute
Standard	Digital Isolator type IEC 60950



Environment	
Operating Temperature	0 to 65°C
Storage Temperature	-10 to 70°C
Operating Humidity	5 – 95% RH (non-condensing)

Mounting	
Built Architecture	Modular
Mounting	DIN Rail Mountable, Wall Mountable, Stack Mountable
Installation	Plug and Play Device

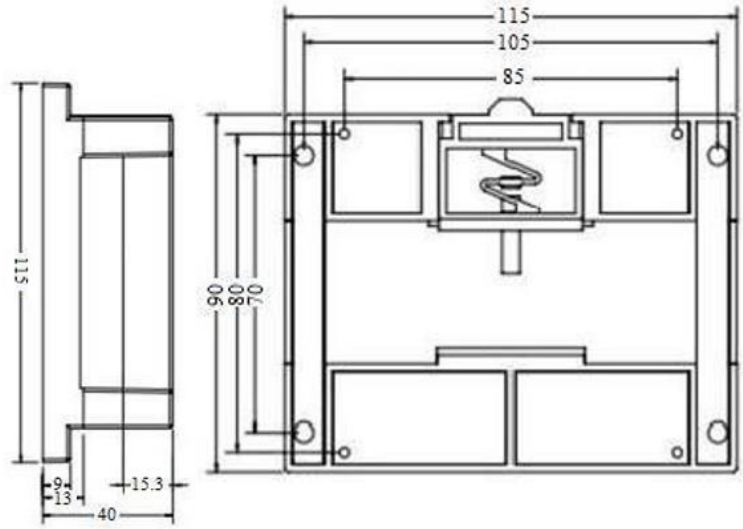
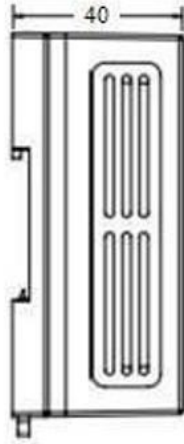
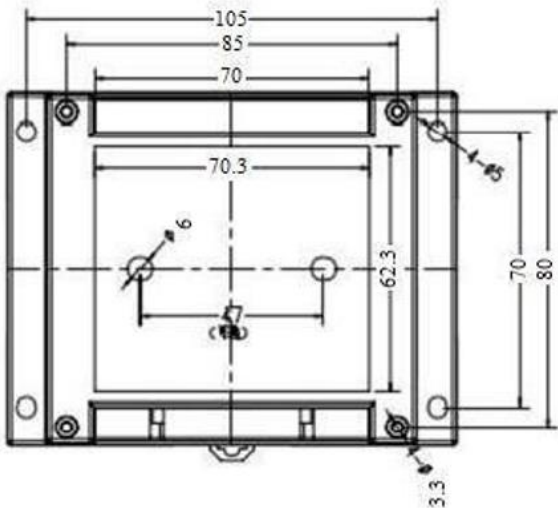
ORDERING INFORMATION	
Product Name	Product Code
8AI 4DI Modbus RS485 Remote I/O	CM8A4D0R

MODBUS ADDRESS FOR FUNCTION CODE 0x04 Read Input registers	
ADDRESS (8AI)	Input Channel
4000	Analog Input 1
⋮	⋮
4007	Analog Input 8

MODBUS ADDRESS FOR FUNCTION CODE 0x02 Read Discrete Inputs	
ADDRESS (4DI)	Input Channel
1000	Digital Input 1
⋮	⋮
1003	Digital Input 4



Dimensions (all units in mm)





CONVERGING UNIVERSE

WHY CHOOSE US



On Time Delivery

We provide the fastest turnaround time for your projects with the industry's best accuracy and output.



24*7 Support

We provide the support from our expert team for the installation and implementation



Transparent Pricing

We maintain every price detail transparent. We customize packages after discussion with your management.

Do you have any questions?

✉ sales@uniconvergetech.in

☎ (+91) – 9741933559, 9205703472

www.uniconvergetech.in



**Noida Address: Block C- 56/11, Ground Floor,
Sector 62, Noida, Uttar Pradesh - 201301**